

2nd Roll Tray Type A  
(B340)

## 2nd Roll Tray Type A (B340)

### PARTS CATALOG

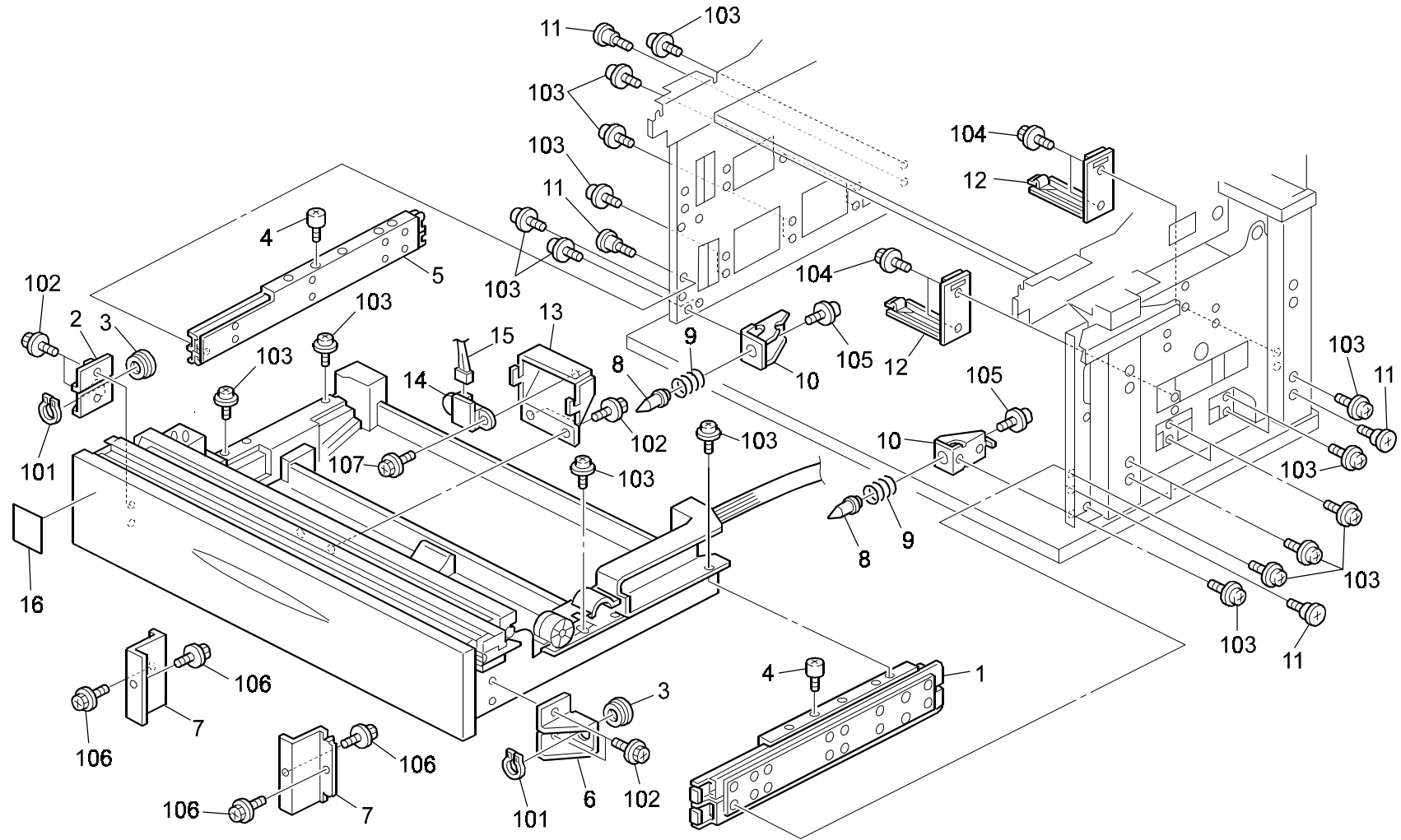
This catalog gives the numbers and names of parts on this machine.

### CONTENTS

1.2nd Tray Unit 1 (B340).....	2
2.2nd Tray Unit 2 (B340).....	4
3.2nd Tray Unit 3 (B340).....	6
4.2nd Tray Unit 4 (B340).....	8
5.2nd Tray Unit 5 (B340).....	10
6.2nd Tray Unit 6 (B340).....	12
7.2nd Tray Unit 7 (B340).....	14
8.Decals And Documents (B340) .....	16
<b>Parts Index.....</b>	<b>19</b>

May ,20 ' 2001

# 1.2nd Tray Unit 1 (B340)

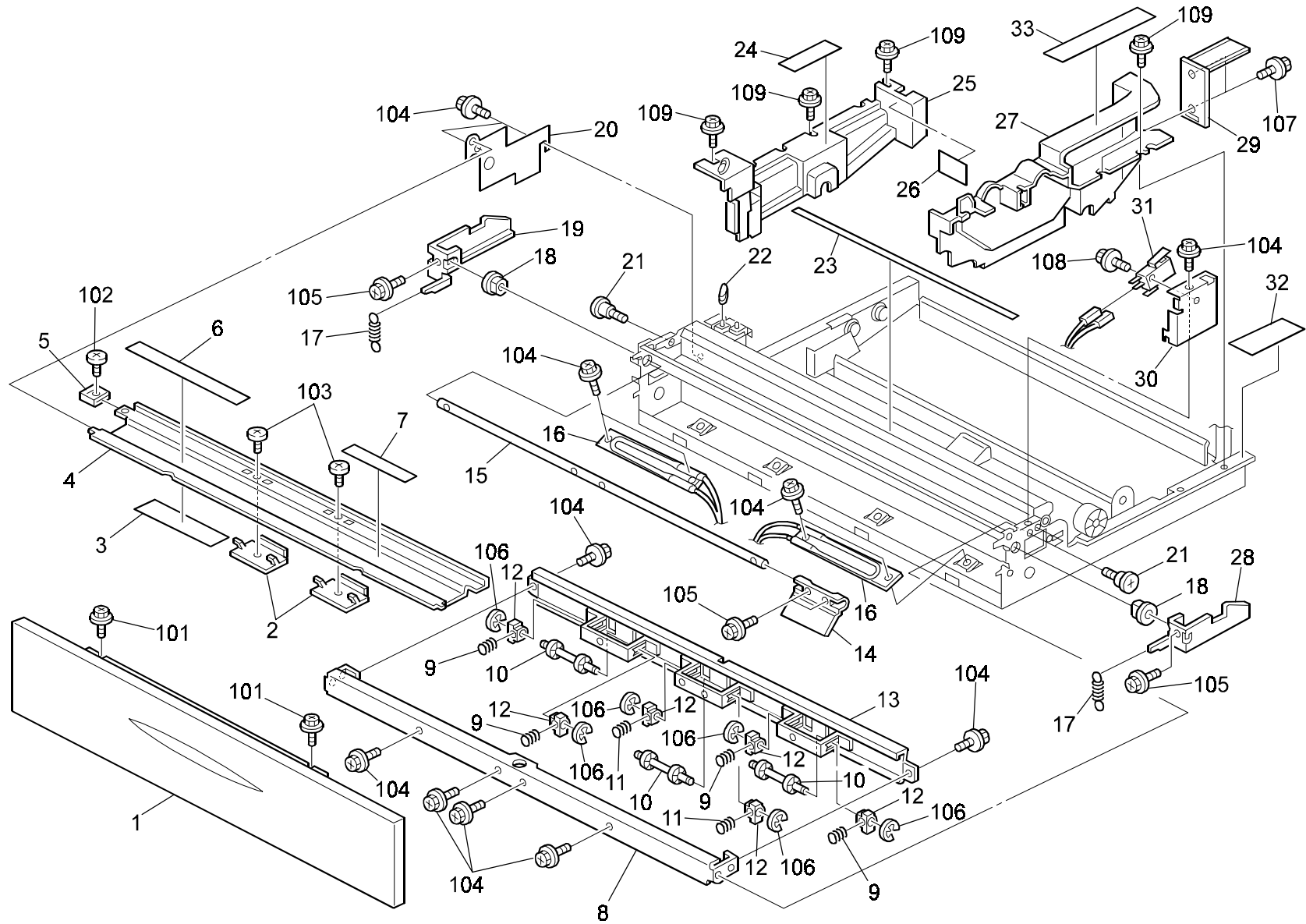


## 1.2nd Tray Unit 1 (B340)

Index No.	Part No.	Description	Q'ty Per Assembly
1	B010 2938	Right Slide Rail	1
2	B010 2906	Left Stopper	1
3	AA08 0049	Bushing - 10x18	2
4	5918 3120	Stud - M4	2
5	B010 2936	Left Slide Rail	1
6	B010 2912	Right Stopper	1
7	B010 2929	Lower Cover Bracket	2
8	B010 2916	Positioning Pin	2
9	AA06 3612	Compression Spring - Tray Release	2
10	B010 2918	Pin Bracket	2
11	AA14 3718	Stepped Screw - M4	4
12	B010 2947	Harness Clamp - FCW-52	2
13	B340 2632	Paper End Sensor Bracket	1
14	AW01 0045	Paper End Sensor	1
15	B340 5833	DC Harness - Lower Paper Feed	1
16	B340 2846	Decal - 3rd Roll Feeder	1

Index No.	Part No.	Description	Q'ty Per Assembly
101	0725 0140E	Retaining Ring (C Type) - M14	
102	0451 4008B	Philips Tapping Screw - M4x8	
103	0951 4006B	Philips Screw With Washer - M4x6	
104	0453 3006B	Tapping Screw - M3x6	
105	0954 5010B	Polished Round Spring Washer Screw	
106	0450 4008B	Tapping Screw - 4x8	
107	0802 5276	Tapping Screw With Washer - M3x6	

## 2.2nd Tray Unit 2 (B340)

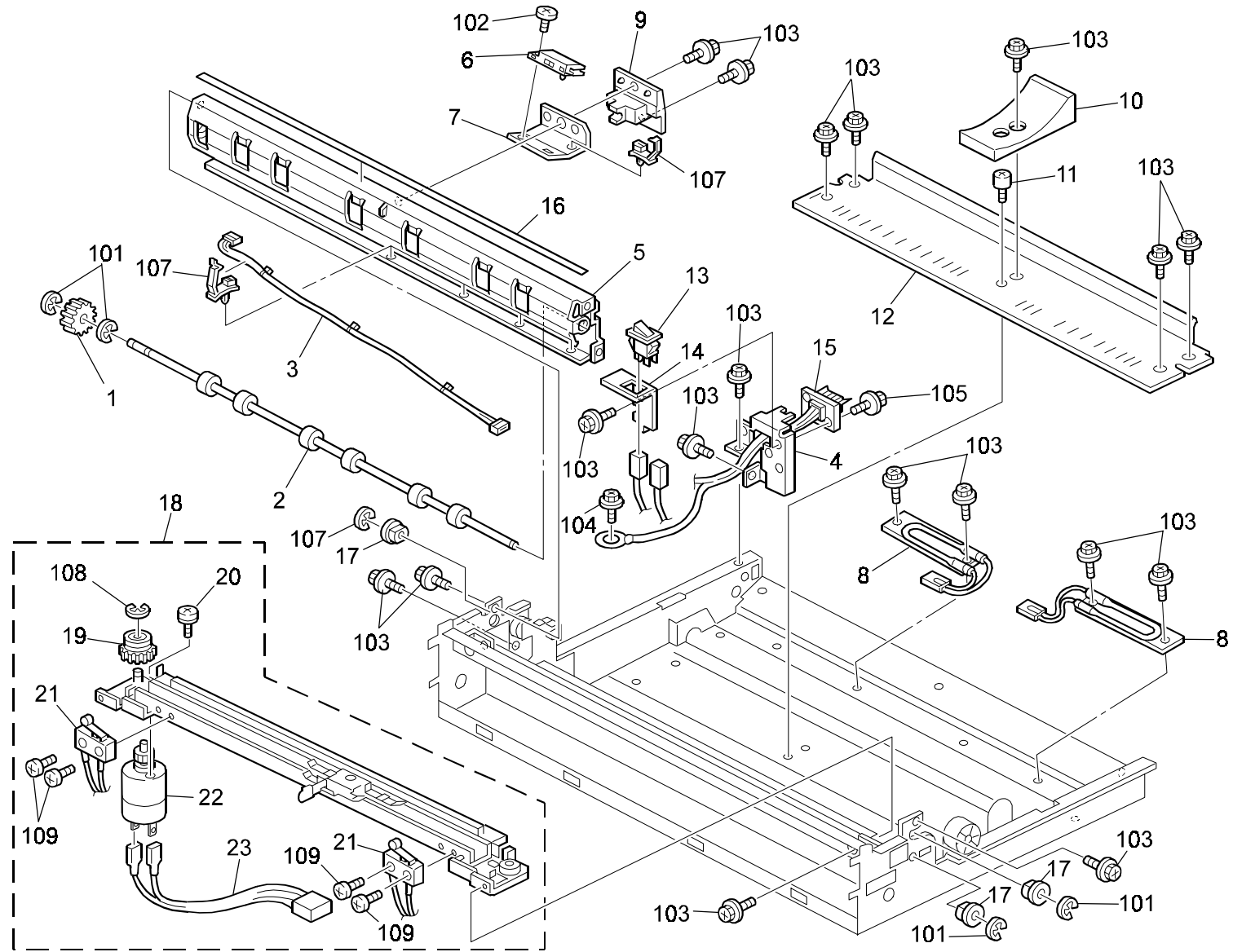


## 2.2nd Tray Unit 2 (B340)

Index No.	Part No.	Description	Q'ty Per Assembly
1	B010 2926	Front Cover	1
2	B010 2717	Exit Roller Guide	2
3	AA00 0643	Caution Decal - Cutter	1
4	B010 2704	Roll Paper Holder	1
5	A353 2243	Lever Knob	1
6	B010 2840	Decal - Roll Paper Operate 1	1
7	B010 2823	Caution Decal- Auto Feed	1
7	B010 2828	Decal - Paper Tray (4Lang.)	1
8	B010 2716	Stay - Exit Guide Plate	1
9	AA06 3122	Exit Roller Spring	4
10	AF02 2034	Exit Roller	3
11	AA06 3016	Pressure Spring	2
12	AA08 0203	Bushing - 6mm	6
13	B340 2711	Guide Plate - Lower Outer	1
14	B010 2900	Grip Lever	1
15	B010 2902	Lever Shaft	1
16	AX40 0127	Heater - 120V 13W	2
16	AX40 0128	Heater - 230V 13W	2
17	5403 1030	Tension Spring	2
18	5053 0223	Bushing - 8mm	2
19	B010 2896	Left Lock Lever	1
20	B010 2773	Left Cover - Cutter Unit	1
21	AA14 3718	Stepped Screw - M4	4
22	B010 2978	Keytop	1
23	B010 2826	Decal - Paper Size (NA)	1
23	B010 2846	Decal - Paper Size Indication (EU)	1
24	B010 2824	Decal - Roll Holder Setting (NA)	1
24	B010 2829	Decal - Paper Hodler Operate (EU)	1
25	B340 2930	Guide Plate - Lower Left Position	1
26	AA00 0642	Decal - Dehumidifier Switch	1
27	B340 2932	Guide Plate - Lower Right Position	1
28	B010 2898	Right Lock Lever	1
29	B010 2947	Harness Clamp - FCW-52	1
30	B010 2705	Micro Switch Bracket	1
31	1204 2466	Micro Switch - V-16506-1C25	1

Index No.	Part No.	Description	Q'ty Per Assembly
32	B010 2827	Right Sheet - Side Plate	1
33	B010 2841	Decal - Roll Paper Operate 2	1
101	0451 4008H	Tapping Screw - 4x8	
102	0453 3006B	Tapping Screw - M3x6	
103	0452 4008B	Binding Self Tapping Screw - M4x8	
104	0451 4008B	Philips Tapping Screw - M4x8	
105	0451 4010B	Tapping Screw - 4x10	
106	0720 0040E	Retaining Ring - M4	
107	0452 3010B	Tapping Bind Screw - M3x10	
108	0451 3014B	Tapping Screw - M3-14	
109	0453 4008B	Tapping Bind Screw - M4x8	

### 3.2nd Tray Unit 3 (B340)



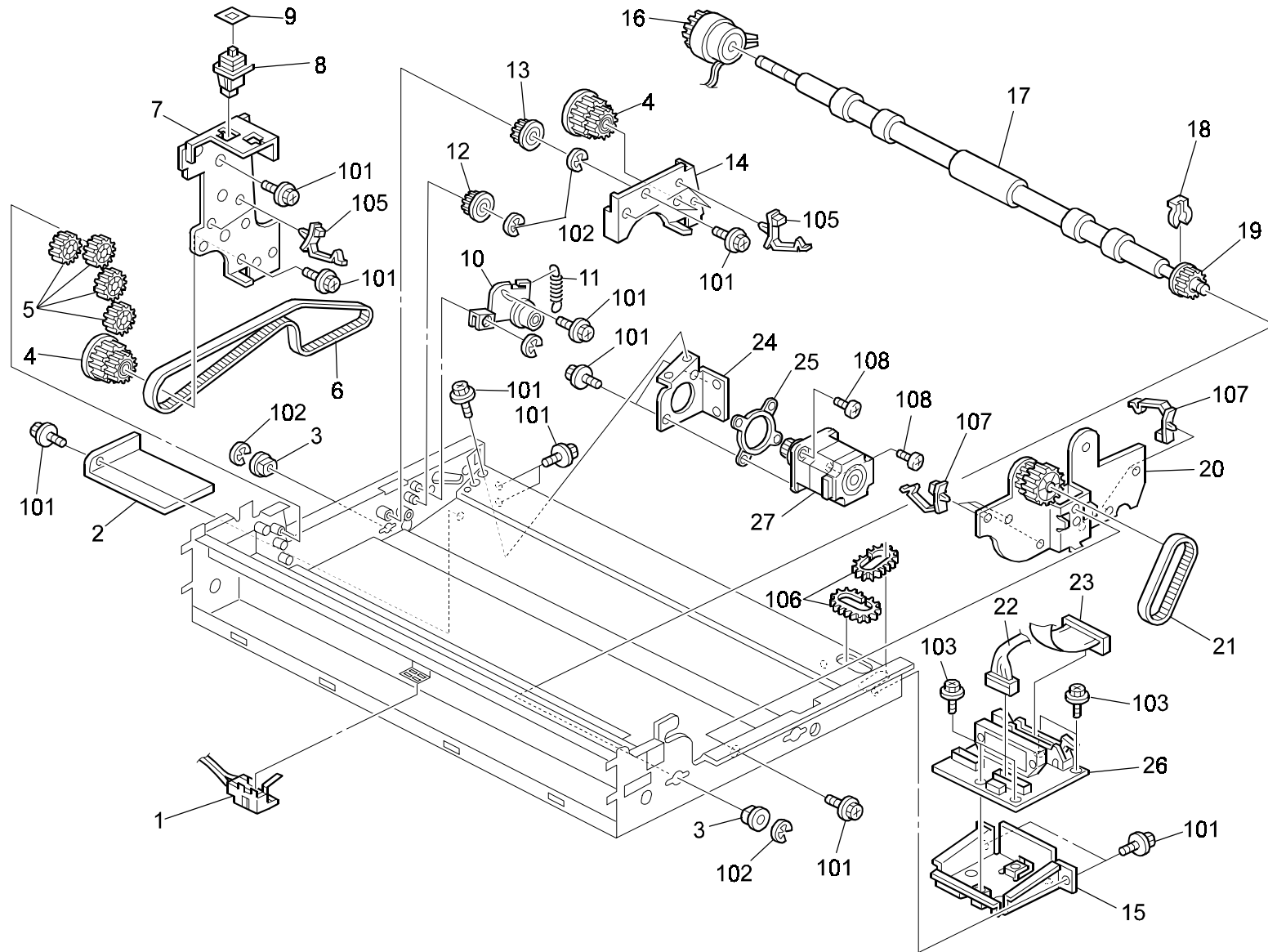
### 3.2nd Tray Unit 3 (B340)

Index No.	Part No.	Description	Q'ty Per Assembly
1	AB01 1413	Drive Gear - 27Z	1
2	AF02 0525	Exhaust Drive Roller	1
3	B340 5788	DC Harness - Lower Roll End Sensor	1
4	B010 2950	Tray Connector Bracket	1
5	B340 2723	Guide Plate - Lower Inner	1
6	AW01 0066	Photosensor - PS-R50D1-B	1
7	B340 2725	Sensor Guide Plate - Photo Reflectn	1
8	AX40 0127	Heater - 120V 13W	2
8	AX40 0128	Heater - 230V 13W	2
9	B010 2726	Roller Guide Plate	1
10	B010 2794	Middle Holder - Paper Holder	1
11	5918 3120	Stud - M4	1
12	B010 2758	Positioning Plate (EU)	1
12	B010 2807	Positioning Plate (NA)	1
13	1204 2406	Locker Switch	1
14	B010 2820	Rocker Switch Bracket	1
15	B010 5767	Upper Paper Feed Harness	1
16	B010 2826	Decal - Paper Size (NA)	1
16	B010 2846	Decal - Paper Size Indication (EU)	1
17	5053 0223	Bushing - 8mm	3
18	B010 2831	Cutter Unit	1
19	A174 4850	Gear Pulley - Cutter Unit	1
20	A571 7665	Screw - M2.6X5	2
21	B010 2834	Micro Switch - SS01GL2	2
22	AX05 0092	DC Motor - DC24V 7.18W	1
23	B010 2836	Motor Harness	1

Index No.	Part No.	Description	Q'ty Per Assembly
101	0720 0060E	Retaining Ring - M6	
102	0453 3012B	Binding Self Tapping Screw - 3x12	
103	0451 4008B	Philips Tapping Screw - M4x8	
104	0950 4006B	Screw - M4X6	
105	0451 4010B	Tapping Screw - 4x10	
106	1105 0329	Clamp - ES-0510	
107	1105 0511	Harness Clamp - LWS-0306ZC	
108	0720 0030E	Retainig Ring - M3	
109	0801 1245	Philips Pan Head Screw - M2.3x8	



## 4.2nd Tray Unit 4 (B340)



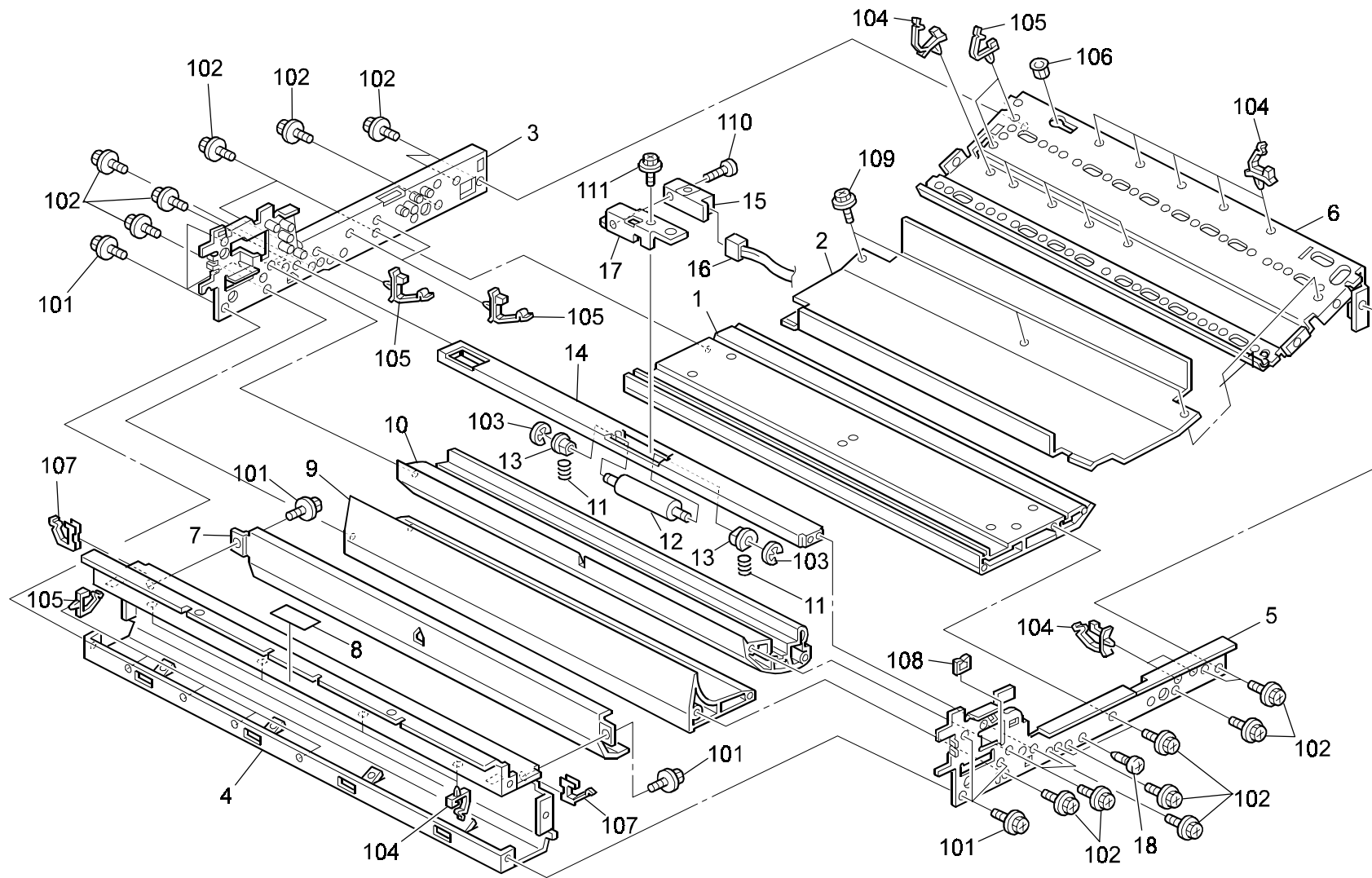
## 4.2nd Tray Unit 4 (B340)

Index No.	Part No.	Description	Q'ty Per Assembly
1	AW02 0024	Photointerruptor	1
2	B010 2816	Motor Cover	1
3	5053 0223	Bushing - 8mm	2
4	AB01 7527	Gear Pulley - 37Z/40T	2
5	AB01 1412	Gear - 36Z	4
6	B010 2856	Timing Belt - 954	1
7	B010 2878	Upper Stay	1
8	AW50 0012	Push Switch	1
9	B010 2979	Switch Plate	1
10	B010 2868	Tightner Ass'y	1
11	AA06 0854	Tightener Spring	1
12	AB03 0678	Timing Pulley - 25T	1
13	AB03 0677	Pulley - 23MM	1
14	B010 2880	Inner Back Stay	1
15	B010 2943	Tray Guide Plate	1
16	AX21 0050	Registration Clutch	1
17	B010 2733	Feed Roller Ass'y	1
18	5215 2621	Snap Ring - M6	1
19	AB03 0679	Timing Pulley - 32T	1
20	B340 2968	Knob Bracket	1
21	B010 2964	Timing Belt - S2M 252	1
22	B340 5840	Option Harness - Lower Paper Feed	1
23	B340 5891	Motor Control Harness	1
24	B010 2876	Motor Bracket	1
25	A571 7458	Motor Cushion	1
26	B010 5450	RFDB Board	1
27	AX05 0162	DC Motor - DC24V 14.8W	1

Index No.	Part No.	Description	Q'ty Per Assembly
101	0451 4008B	Philips Tapping Screw - M4x8	
102	0720 0060E	Retaining Ring - M6	
103	0451 3006B	Tapping Screw - M3x6	
104	0622 0120E	Spring Pin - 2x12	
105	1105 0511	Harness Clamp - LWS-0306ZC	
106	1106 0493	Edging	
107	1105 0516	Clamp	
108	0453 4010B	Tapping Bind Screw - M4x10	



# 5.2nd Tray Unit 5 (B340)

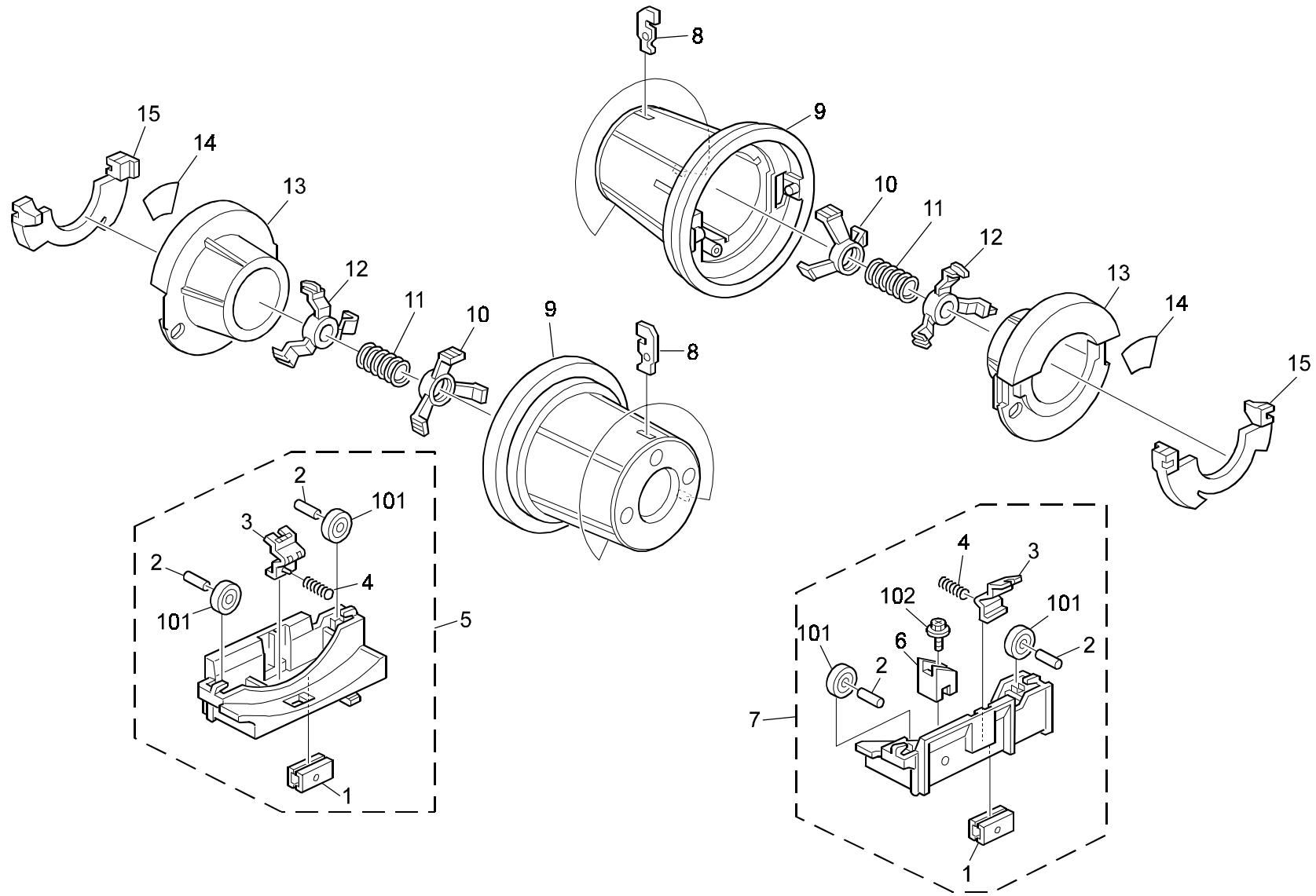


## 5.2nd Tray Unit 5 (B340)

Index No.	Part No.	Description	Q'ty Per Assembly
1	B010 2756	Front Base	1
2	B340 2729	Guide Plate - Lower Rear Position	1
3	B010 2780	Left Side Plate	1
4	B010 2772	Guide Plate - Vertical Transport	1
5	B010 2778	Right Side Plate	1
6	B010 2764	Rear Base	1
7	B010 2732	Upper Guide Plate	1
8	AA00 0643	Caution Decal - Cutter	1
8	B010 2828	Decal - Paper Tray (4Lang.)	1
9	B010 2770	Lower Guide Plate - Connecting	1
10	B010 2768	Upper Guide Plate - Connecting	1
11	AA06 3177	Pressure Center Spring	2
12	AF02 0108	Paper Feed Roller - Middle	1
13	AA08 0037	Bushing - 6mm	2
14	B010 2795	Lower Guide Plate	1
15	AW01 0070	Photosensor - PS-R11D1-B	1
16	B010 5786	Relay Harness - Roll End Sensor	1
17	B010 2798	Sensor Bracket	1
18	5446 2824	Screw - Duplex Guide Plate	1

Index No.	Part No.	Description	Q'ty Per Assembly
101	0451 4008B	Philips Tapping Screw - M4x8	
102	0453 4010B	Tapping Bind Screw - M4x10	
103	0720 0040E	Retaining Ring - M4	
104	1105 0516	Clamp	
105	1105 0511	Harness Clamp - LWS-0306ZC	
106	1106 0411	Bushing - 11.5mm	
107	1105 0518	Edge Saddle - LES-1010	
108	1105 0329	Clamp - ES-0510	
109	0453 4006B	Tapping Screw - 4x6	
110	0353 0140B	Bind Screw - M3X14	
111	0353 0120B	Bind Screw - M3X12	

# 6.2nd Tray Unit 6 (B340)

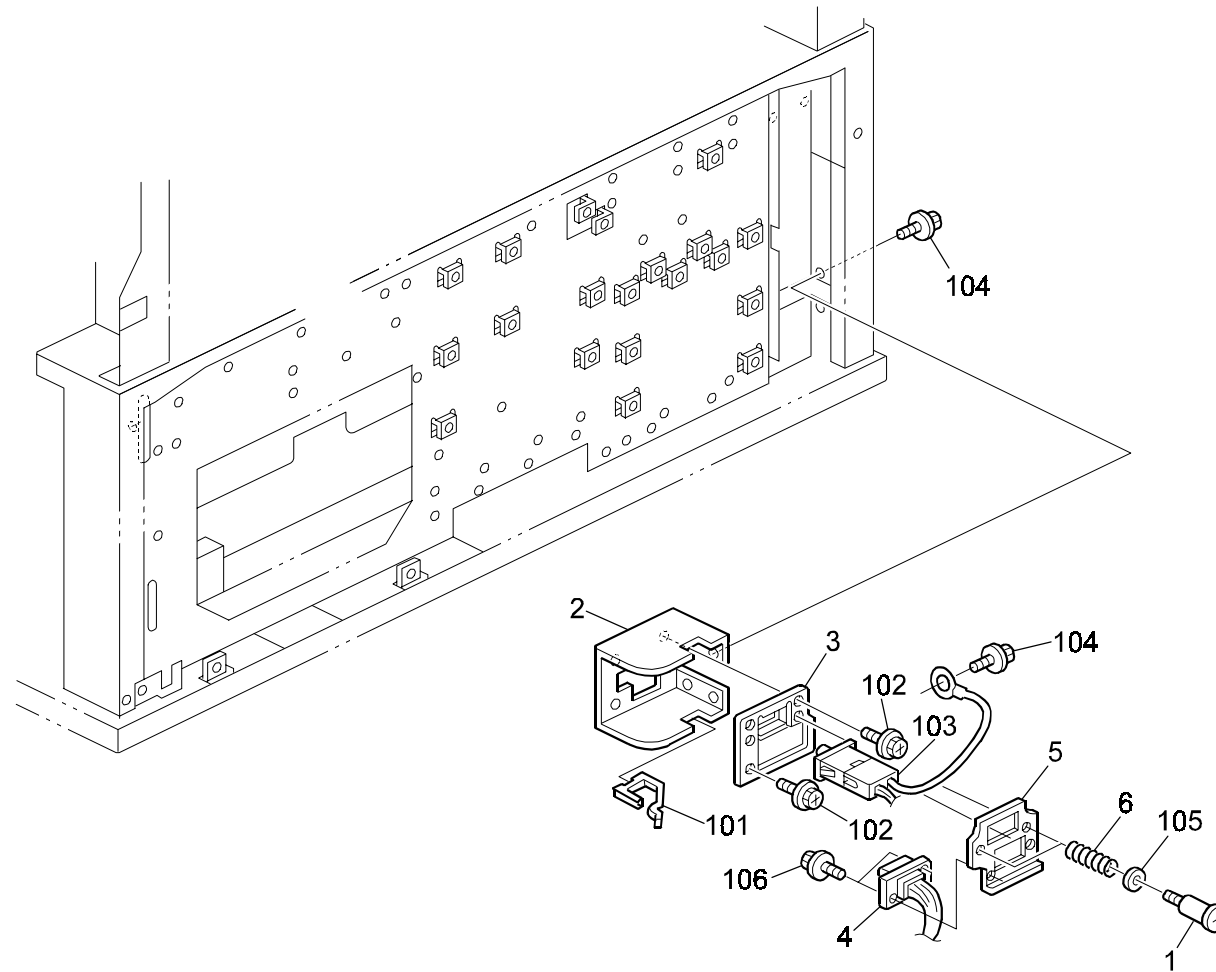


## 6.2nd Tray Unit 6 (B340)

Index No.	Part No.	Description	Q'ty Per Assembly
1	AG07 0014	Magnet Catch	2
2	B353 2765	Roller Shaft	4
3	B353 2766	Paper Holder Brake	2
4	B353 2767	Brake Compression Spring	2
5	B010 2808	Left Holder - Paper Holder	1
6	B353 2768	Positioning Plate	1
7	B010 2810	Right Holder - Paper Holder	1
8	B353 2775	Paper Holder Pawl	6
9	B353 2771	Roll Paper Holder	2
10	B353 2774	Arm Stopper Pawl	2
11	B353 2776	Lock Compression Spring	2
12	B353 2777	Upper Arm Stopper Pawl	2
13	B353 2772	Paper Holder Stopper	2
14	B353 2778	Decal - Paper Holder Chart	2
15	B353 2773	Paper Holder Lock Lever	2

Index No.	Part No.	Description	Q'ty Per Assembly
101	0740 3008	Ball Bearing - 8x22x7	
102	0452 3010B	Tapping Bind Screw - M3x10	

## 7.2nd Tray Unit 7 (B340)



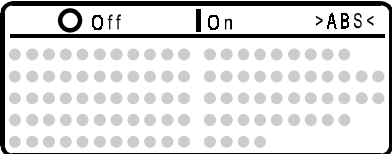
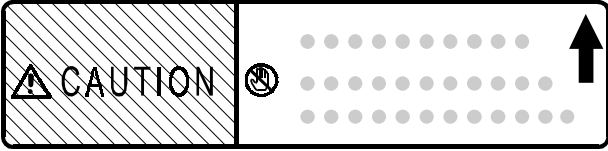
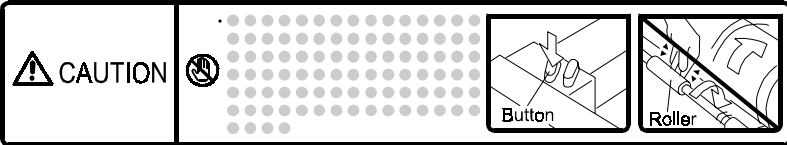
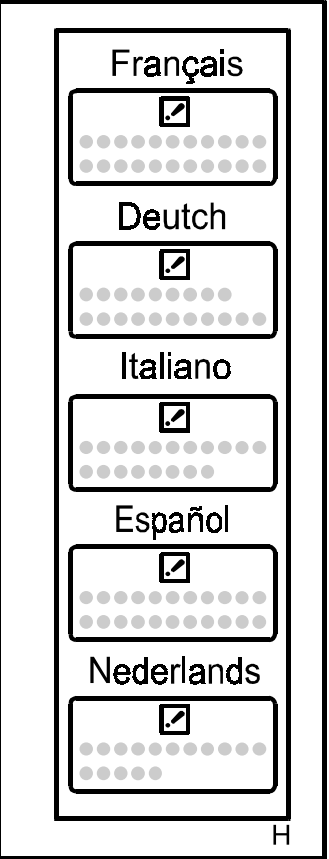
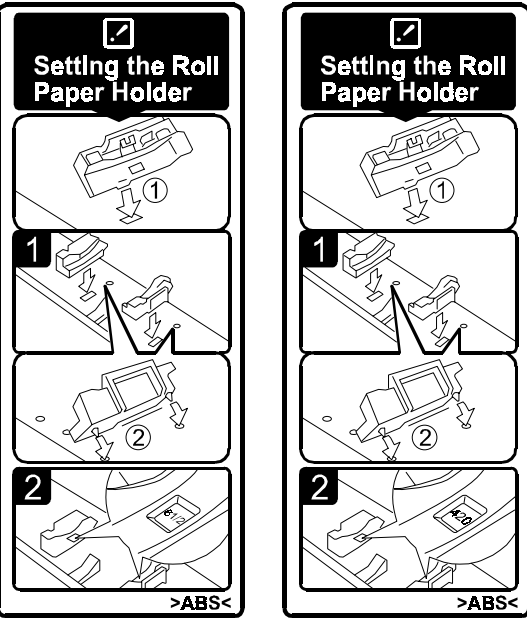
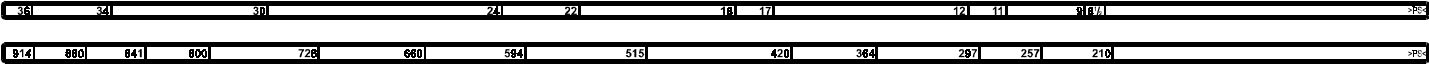
## 7.2nd Tray Unit 7 (B340)

Index No.	Part No.	Description	Q'ty Per Assembly
1	AA14 3253	Pin - Lever - Paper Spool Unit	2
2	B010 2954	Guide Plate	1
3	B010 2958	Connector	1
4	B340 5764	AC Harness - 3rd Roll Feeder	1
5	B010 2956	Connector Bracket	1
6	AA06 3219	Spring	2

Index No.	Part No.	Description	Q'ty Per Assembly
101	1105 0518	Edge Saddle - LES-1010	
102	0451 4008B	Philips Tapping Screw - M4x8	
103	1204 2334	Interlock Switch - Fa1I	
104	0950 4006B	Screw - M4x6	
105	0701 0050B	Flat Washer - M5	
106	0451 4014B	Tapping Screw - M4x14	



## 8. Decals And Documents (B340)

<p>1</p> 	<p>2</p> 
<p>3</p> 	<p>5</p> 
<p>4</p> 	
<p>6</p> 	

# 8.Decals And Documents (B340)

7	<table border="1" style="width: 100%; border-collapse: collapse;"> <tr> <td style="width: 10%; text-align: center;">Français</td> <td style="width: 15%; text-align: center;">⚠ Attention</td> <td style="width: 15%;"></td> <td style="width: 15%; text-align: center;">Bouton</td> <td style="width: 15%; text-align: center;">Rouleau</td> </tr> <tr> <td style="text-align: center;">Deutsch</td> <td style="text-align: center;">⚠ ACHTUNG</td> <td></td> <td style="text-align: center;">Taste</td> <td style="text-align: center;">Fingerrolle</td> </tr> <tr> <td style="text-align: center;">Italiano</td> <td style="text-align: center;">⚠ AVVERTENZA</td> <td></td> <td style="text-align: center;">Pulsante</td> <td style="text-align: center;">Rullo</td> </tr> <tr> <td style="text-align: center;">Español</td> <td style="text-align: center;">⚠ PRECAUCIÓN</td> <td></td> <td style="text-align: center;">Botón</td> <td style="text-align: center;">Rodillo</td> </tr> <tr> <td style="text-align: center;">Nederlands</td> <td style="text-align: center;">⚠ LET OP</td> <td></td> <td style="text-align: center;">Knop</td> <td style="text-align: center;">Rol</td> </tr> </table>	Français	⚠ Attention		Bouton	Rouleau	Deutsch	⚠ ACHTUNG		Taste	Fingerrolle	Italiano	⚠ AVVERTENZA		Pulsante	Rullo	Español	⚠ PRECAUCIÓN		Botón	Rodillo	Nederlands	⚠ LET OP		Knop	Rol	<table border="1" style="width: 100%; border-collapse: collapse;"> <tr> <td style="width: 10%; text-align: center;">Français</td> <td style="width: 15%; text-align: center;">⚠ Attention</td> <td style="width: 15%;"></td> <td style="width: 15%; text-align: center;">↑</td> </tr> <tr> <td style="text-align: center;">Deutsch</td> <td style="text-align: center;">⚠ ACHTUNG</td> <td></td> <td style="text-align: center;">↑</td> </tr> <tr> <td style="text-align: center;">Italiano</td> <td style="text-align: center;">⚠ AVVERTENZA</td> <td></td> <td style="text-align: center;">↑</td> </tr> <tr> <td style="text-align: center;">Español</td> <td style="text-align: center;">⚠ PRECAUCIÓN</td> <td></td> <td style="text-align: center;">↑</td> </tr> <tr> <td style="text-align: center;">Nederlands</td> <td style="text-align: center;">⚠ LET OP</td> <td></td> <td style="text-align: center;">↑</td> </tr> </table>	Français	⚠ Attention		↑	Deutsch	⚠ ACHTUNG		↑	Italiano	⚠ AVVERTENZA		↑	Español	⚠ PRECAUCIÓN		↑	Nederlands	⚠ LET OP		↑
Français	⚠ Attention		Bouton	Rouleau																																											
Deutsch	⚠ ACHTUNG		Taste	Fingerrolle																																											
Italiano	⚠ AVVERTENZA		Pulsante	Rullo																																											
Español	⚠ PRECAUCIÓN		Botón	Rodillo																																											
Nederlands	⚠ LET OP		Knop	Rol																																											
Français	⚠ Attention		↑																																												
Deutsch	⚠ ACHTUNG		↑																																												
Italiano	⚠ AVVERTENZA		↑																																												
Español	⚠ PRECAUCIÓN		↑																																												
Nederlands	⚠ LET OP		↑																																												
		<div style="border: 2px solid black; padding: 10px; display: inline-block;"> <h1 style="font-size: 2em;">3</h1> </div>																																													
		<div style="border: 1px solid black; padding: 5px; display: inline-block;"> <p style="font-size: 0.8em; margin: 0;">             CAUTION              ACHTUNG              ATTENZIONE              PRECAUCIÓN              VOORZICHTIG              FORSIGHTIG 注意         </p> </div>																																													
8																																															
9																																															
10																																															

### 8.Decals And Documents (B340)

Index No.	Part No.	Description	Q'ty Per Assembly
1	AA00 0642	Decal - Dehumidifier Switch	1
2	AA00 0643	Caution Decal - Cutter	1
3	B010 2823	Caution Decal - Auto Feed	1
4	B010 2824	Decal - Roll Holder Setting (NA)	1
4	B010 2829	Decal - Paper Hodler Operate (EU)	1
5	B010 2825	Decal - Operate (4Lang.)	1
6	B010 2826	Decal - Paper Size (NA)	1
6	B010 2846	Decal - Paper Size Indication (EU)	1
7	B010 2828	Decal - Paper Tray (4Lang.)	1
8	B010 2840	Decal - Roll Paper Operate 1	1
9	B010 2841	Decal - Roll Paper Operate 2	1
10	B010 2842	Decal - Paper Hodler Operate	1
11	B340 2846	Decal - 3rd Roll Feeder	1
12	B353 2778	Decal - Paper Holder Chart	1

Index No.	Part No.	Description	Q'ty Per Assembly

# Parts Index

## Parts Index

Part No.	Description	Page and Index No.
B340 2632	Paper End Sensor Bracket	3- 13
B340 2711	Guide Plate - Lower Outer	5- 13
B340 2723	Guide Plate - Lower Inner	7- 5
B340 2725	Sensor Guide Plate - Photo Reflectn	7- 7
B340 2729	Guide Plate - Lower Rear Position	11- 2
B340 2846	Decal - 3rd Roll Feeder	3- 16
B340 2846	Decal - 3rd Roll Feeder	17- 11
B340 2930	Guide Plate - Lower Left Position	5- 25
B340 2932	Guide Plate - Lower Right Position	5- 27
B340 2968	Knob Bracket	9- 20
B340 5764	AC Harness - 3rd Roll Feeder	15- 4
B340 5788	DC Harness - Lower Roll End Sensor	7- 3
B340 5833	DC Harness - Lower Paper Feed	3- 15
B340 5840	Option Harness - Lower Paper Feed	9- 22
B340 5891	Motor Control Harness	9- 23

Part No.	Description	Page and Index No.
AA00 0642	Decal - Dehumidifier Switch	17- 1
AA00 0642	Decal - Dehumidifier Switch	5- 26
AA00 0643	Caution Decal - Cutter	5- 3
AA00 0643	Caution Decal - Cutter	11- 8
AA00 0643	Caution Decal - Cutter	17- 2
AA06 0854	Tightener Spring	9- 11
AA06 3016	Pressure Spring	5- 11
AA06 3122	Exit Roller Spring	5- 9
AA06 3177	Pressure Center Spring	11- 11
AA06 3219	Spring	15- 6
AA06 3612	Compression Spring - Tray Release	3- 9
AA08 0037	Bushing - 6mm	11- 13
AA08 0049	Bushing - 10x18	3- 3
AA08 0203	Bushing - 6mm	5- 12
AA14 3253	Pin - Lever - Paper Spool Unit	15- 1
AA14 3718	Stepped Screw - M4	5- 21
AA14 3718	Stepped Screw - M4	3- 11
AB01 1412	Gear - 36Z	9- 5
AB01 1413	Drive Gear - 27Z	7- 1
AB01 7527	Gear Pulley - 37Z/40T	9- 4
AB03 0677	Pulley - 23MM	9- 13
AB03 0678	Timing Pulley - 25T	9- 12
AB03 0679	Timing Pulley - 32T	9- 19
AF02 0108	Paper Feed Roller - Middle	11- 12
AF02 0525	Exhaust Drive Roller	7- 2
AF02 2034	Exit Roller	5- 10
AG07 0014	Magnet Catch	13- 1
AW01 0045	Paper End Sensor	3- 14
AW01 0066	Photosensor - PS-R50D1-B	7- 6
AW01 0070	Photosensor - PS-R11D1-B	11- 15
AW02 0024	Photointerruptor	9- 1
AW50 0012	Push Switch	9- 8
AX05 0092	DC Motor - DC24V 7.18W	7- 22
AX05 0162	DC Motor - DC24V 14.8W	9- 27
AX21 0050	Registration Clutch	9- 16

Part No.	Description	Page and Index No.
AX40 0127	Heater - 120V 13W	5- 16
AX40 0127	Heater - 120V 13W	7- 8
AX40 0128	Heater - 230V 13W	7- 8
AX40 0128	Heater - 230V 13W	5- 16
B010 2704	Roll Paper Holder	5- 4
B010 2705	Micro Switch Bracket	5- 30
B010 2716	Stay - Exit Guide Plate	5- 8
B010 2717	Exit Roller Guide	5- 2
B010 2726	Roller Guide Plate	7- 9
B010 2732	Upper Guide Plate	11- 7
B010 2733	Feed Roller Ass'y	9- 17
B010 2756	Front Base	11- 1
B010 2758	Positioning Plate (EU)	7- 12
B010 2764	Rear Base	11- 6
B010 2768	Upper Guide Plate - Connecting	11- 10
B010 2770	Lower Guide Plate - Connecting	11- 9
B010 2772	Guide Plate - Vertical Transport	11- 4
B010 2773	Left Cover - Cutter Unit	5- 20
B010 2778	Right Side Plate	11- 5
B010 2780	Left Side Plate	11- 3
B010 2794	Middle Holder - Paper Holder	7- 10
B010 2795	Lower Guide Plate	11- 14
B010 2798	Sensor Bracket	11- 17
B010 2807	Positioning Plate (NA)	7- 12
B010 2808	Left Holder - Paper Holder	13- 5
B010 2810	Right Holder - Paper Holder	13- 7
B010 2816	Motor Cover	9- 2
B010 2820	Rocker Switch Bracket	7- 14
B010 2823	Caution Decal - Auto Feed	17- 3
B010 2823	Caution Decal - Auto Feed	5- 7
B010 2824	Decal - Roll Holder Setting (NA)	5- 24
B010 2824	Decal - Roll Holder Setting (NA)	17- 4
B010 2825	Decal - Operate (4Lang.)	17- 5
B010 2826	Decal - Paper Size (NA)	5- 23
B010 2826	Decal - Paper Size (NA)	7- 16

Part No.	Description	Page and Index No.
B010 2826	Decal - Paper Size (NA)	17- 6
B010 2827	Right Sheet - Side Plate	5- 32
B010 2828	Decal - Paper Tray (4Lang.)	5- 7
B010 2828	Decal - Paper Tray (4Lang.)	17- 7
B010 2828	Decal - Paper Tray (4Lang.)	11- 8
B010 2829	Decal - Paper Hodler Operate (EU)	17- 4
B010 2829	Decal - Paper Hodler Operate (EU)	5- 24
B010 2831	Cutter Unit	7- 18
B010 2834	Micro Switch - SS01GL2	7- 21
B010 2836	Motor Harness	7- 23
B010 2840	Decal - Roll Paper Operate 1	17- 8
B010 2840	Decal - Roll Paper Operate 1	5- 6
B010 2841	Decal - Roll Paper Operate 2	17- 9
B010 2841	Decal - Roll Paper Operate 2	5- 33
B010 2842	Decal - Paper Hodler Operate	17- 10
B010 2846	Decal - Paper Size Indication (EU)	17- 6
B010 2846	Decal - Paper Size Indication (EU)	7- 16
B010 2846	Decal - Paper Size Indication (EU)	5- 23
B010 2856	Timing Belt - 954	9- 6
B010 2868	Tightner Ass'y	9- 10
B010 2876	Motor Bracket	9- 24
B010 2878	Upper Stay	9- 7
B010 2880	Inner Back Stay	9- 14
B010 2896	Left Lock Lever	5- 19
B010 2898	Right Lock Lever	5- 28
B010 2900	Grip Lever	5- 14
B010 2902	Lever Shaft	5- 15
B010 2906	Left Stopper	3- 2
B010 2912	Right Stopper	3- 6
B010 2916	Positioning Pin	3- 8
B010 2918	Pin Bracket	3- 10
B010 2926	Front Cover	5- 1
B010 2929	Lower Cover Bracket	3- 7
B010 2936	Left Slide Rail	3- 5
B010 2938	Right Slide Rail	3- 1

Part No.	Description	Page and Index No.
B010 2943	Tray Guide Plate	9- 15
B010 2947	Harness Clamp - FCW-52	3- 12
B010 2947	Harness Clamp - FCW-52	5- 29
B010 2950	Tray Connector Bracket	7- 4
B010 2954	Guide Plate	15- 2
B010 2956	Connector Bracket	15- 5
B010 2958	Connector	15- 3
B010 2964	Timing Belt - S2M 252	9- 21
B010 2978	Keytop	5- 22
B010 2979	Switch Plate	9- 9
B010 5450	RFDB Board	9- 26
B010 5767	Upper Paper Feed Harness	7- 15
B010 5786	Relay Harness - Roll End Sensor	11- 16
B353 2765	Roller Shaft	13- 2
B353 2766	Paper Holder Brake	13- 3
B353 2767	Brake Compression Spring	13- 4
B353 2768	Positioning Plate	13- 6
B353 2771	Roll Paper Holder	13- 9
B353 2772	Paper Holder Stopper	13- 13
B353 2773	Paper Holder Lock Lever	13- 15
B353 2774	Arm Stopper Pawl	13- 10
B353 2775	Paper Holder Pawl	13- 8
B353 2776	Lock Compression Spring	13- 11
B353 2777	Upper Arm Stopper Pawl	13- 12
B353 2778	Decal - Paper Holder Chart	13- 14
B353 2778	Decal - Paper Holder Chart	17- 12

Part No.	Description	Page and Index No.
A174 4850	Gear Pulley - Cutter Unit	7- 19
A353 2243	Lever Knob	5- 5
A571 7458	Motor Cushion	9- 25
A571 7665	Screw - M2.6X5	7- 20

Part No.	Description	Page and Index No.
5053 0223	Bushing - 8mm	5- 18
5053 0223	Bushing - 8mm	7- 17
5053 0223	Bushing - 8mm	9- 3
5215 2621	Snap Ring - M6	9- 18
5403 1030	Tension Spring	5- 17
5446 2824	Screw - Duplex Guide Plate	11- 18
5918 3120	Stud - M4	3- 4
5918 3120	Stud - M4	7- 11

Part No.	Description	Page and Index No.
0353 0120B	Bind Screw - M3X12	11-111
0353 0140B	Bind Screw - M3X14	11-110
0450 4008B	Tapping Screw - 4x8	3-106
0451 3006B	Tapping Screw - M3x6	9-103
0451 3014B	Tapping Screw - M3-14	5-108
0451 4008B	Philips Tapping Screw - M4x8	5-104
0451 4008B	Philips Tapping Screw - M4x8	9-101
0451 4008B	Philips Tapping Screw - M4x8	7-103
0451 4008B	Philips Tapping Screw - M4x8	11-101
0451 4008B	Philips Tapping Screw - M4x8	3-102
0451 4008B	Philips Tapping Screw - M4x8	15-102
0451 4008H	Tapping Screw - 4x8	5-101
0451 4010B	Tapping Screw - 4x10	5-105
0451 4010B	Tapping Screw - 4x10	7-105
0451 4014B	Tapping Screw - M4x14	15-106
0452 3010B	Tapping Bind Screw - M3x10	5-107
0452 3010B	Tapping Bind Screw - M3x10	13-102
0452 4008B	Binding Self Tapping Screw - M4x8	5-103
0453 3006B	Tapping Screw - M3x6	3-104
0453 3006B	Tapping Screw - M3x6	5-102
0453 3012B	Binding Self Tapping Screw - 3x12	7-102
0453 4006B	Tapping Screw - 4x6	11-109
0453 4008B	Tapping Bind Screw - M4x8	5-109
0453 4010B	Tapping Bind Screw - M4x10	11-102
0453 4010B	Tapping Bind Screw - M4x10	9-108
0622 0120E	Spring Pin - 2x12	9-104
0701 0050B	Flat Washer - M5	15-105
0720 0030E	Retainig Ring - M3	7-108
0720 0040E	Retaining Ring - M4	11-103
0720 0040E	Retaining Ring - M4	5-106
0720 0060E	Retaining Ring - M6	7-101
0720 0060E	Retaining Ring - M6	9-102
0725 0140E	Retaining Ring (C Type) - M14	3-101
0740 3008	Ball Bearing - 8x22x7	13-101
0801 1245	Philips Pan Head Screw - M2.3x8	7-109



Part No.	Description	Page and Index No.
0802 5276	Tapping Screw With Washer - M3x6	3-107
0950 4006B	Screw - M4x6	15-104
0950 4006B	Screw - M4X6	7-104
0951 4006B	Philips Screw With Washer - M4x6	3-103
0954 5010B	Polished Round Spring Washer Screw	3-105
1105 0329	Clamp - ES-0510	11-108
1105 0329	Clamp - ES-0510	7-106
1105 0511	Harness Clamp - LWS-0306ZC	11-105
1105 0511	Harness Clamp - LWS-0306ZC	7-107
1105 0511	Harness Clamp - LWS-0306ZC	9-105
1105 0516	Clamp	11-104
1105 0516	Clamp	9-107
1105 0518	Edge Saddle - LES-1010	11-107
1105 0518	Edge Saddle - LES-1010	15-101
1106 0411	Bushing - 11.5mm	11-106
1106 0493	Edging	9-106
1204 2334	Interlock Switch - Fa1l	15-103
1204 2406	Locker Switch	7- 13
1204 2466	Micro Switch - V-16506-1C25	5- 31

Part No.	Description	Page and Index No.